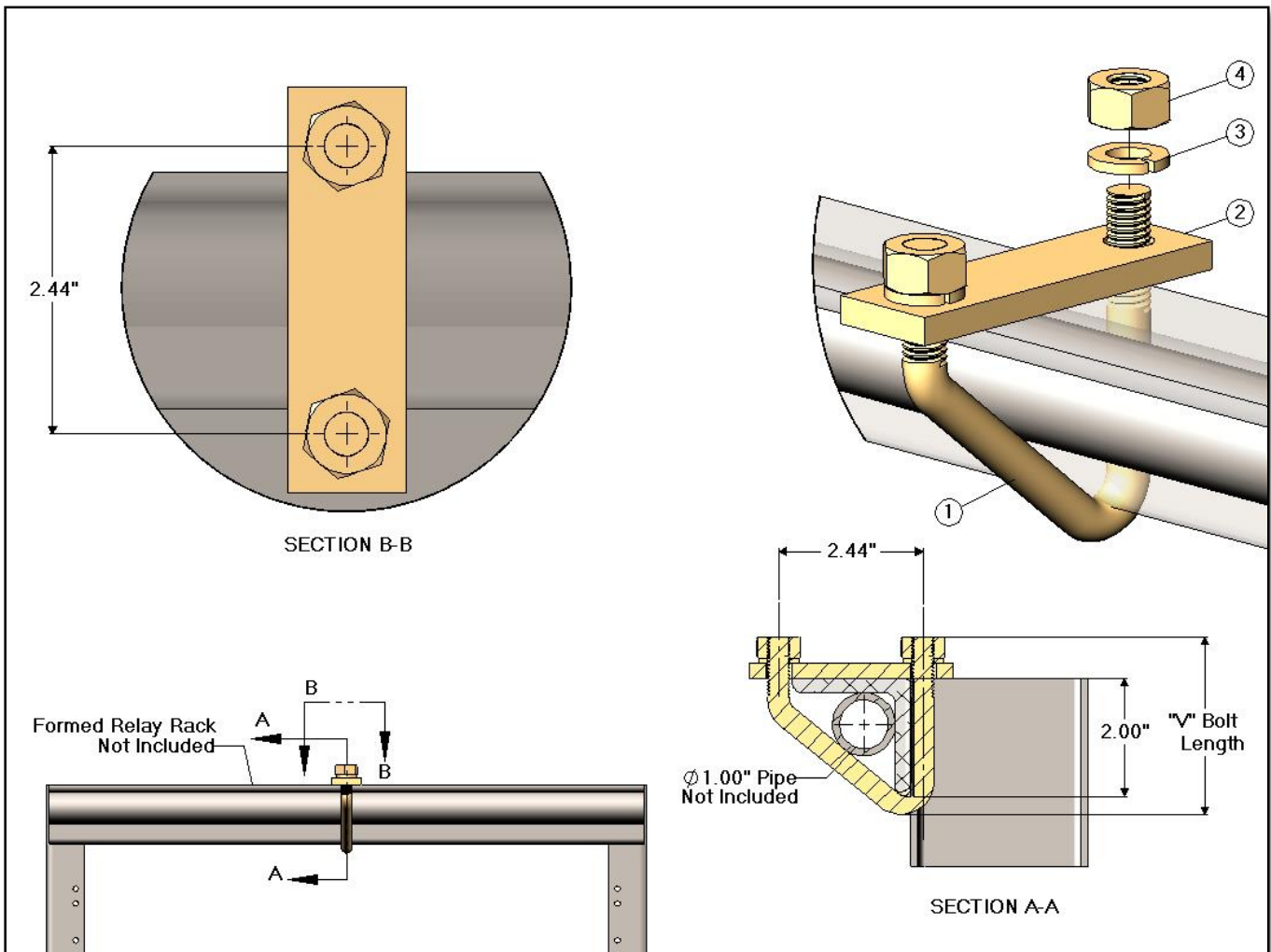




STA120x Series - Formed Relay Rack to 1.00" I.D. Pipe



STA1201 - Formed Relay Rack to Aux. 1.00" I.D. Pipe			
Item	CSF P/N#	QTY	Description
1	VB251	1	3/8-16 V Bolt x 3.00" Length
2	THP282	1	"V" Bolt Plate
3	LW156	2	3/8" Spring Lock Washer
4	HN146	2	3/8-16 Hex Nut

STA1202 - Formed Relay Rack to Aux. 1.00" I.D. Pipe			
Item	CSF P/N#	QTY	Description
1	VB252	1	3/8-16 V Bolt x 4.00" Length
2	THP282	1	"V" Bolt Plate
3	LW156	2	3/8" Spring Lock Washer
4	HN146	2	3/8-16 Hex Nut

Notes:

- Formed Relay Rack - Not Included
- 1.00" I.D. Pipe - Not Included
- Hardware finish is zinc yellow.

Specifications subject to change. Please contact CSF Customer Service for more information.